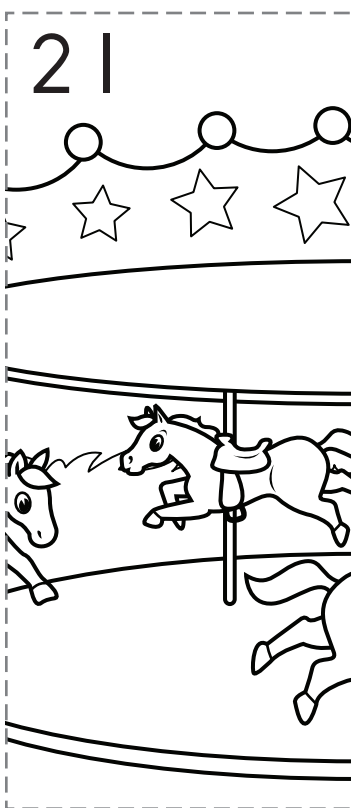

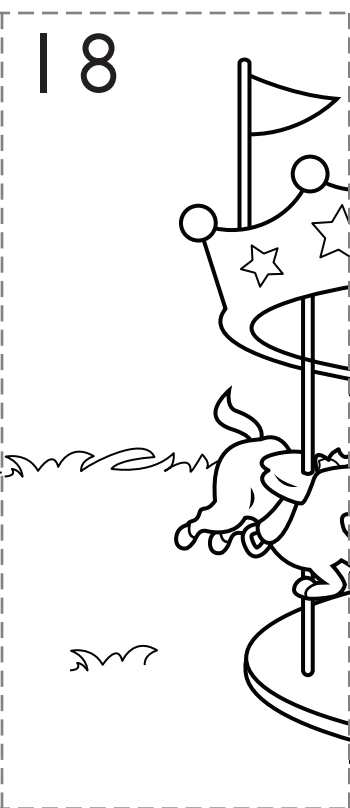



Name \_\_\_\_\_

Solve each **addition** problem. Then cut out the puzzle pieces below and glue each answer onto the correct addition problem. What do you see?

$\begin{array}{r} 5 \\ 3 \\ 6 \\ + 4 \\ \hline \end{array}$	$\begin{array}{r} 4 \\ 8 \\ 2 \\ + 7 \\ \hline \end{array}$	$\begin{array}{r} 6 \\ 4 \\ 9 \\ + 5 \\ \hline \end{array}$	$\begin{array}{r} 6 \\ 7 \\ 5 \\ + 8 \\ \hline \end{array}$
---	---	---	---

21	26	18	24
			

Name \_\_\_\_\_

Use a pencil to fill in each box containing numbers that you would use to count by 8 to 80.

**CHALLENGE:** Can you keep counting and count by 8 to 100?

1	2	3	4	5	6	7	8	9	10
11	12	13	14	15	16	17	18	19	20
21	22	23	24	25	26	27	28	29	30
31	32	33	34	35	36	37	38	39	40
41	42	43	44	45	46	47	48	49	50
51	52	53	54	55	56	57	58	59	60
61	62	63	64	65	66	67	68	69	70
71	72	73	74	75	76	77	78	79	80
81	82	83	84	85	86	87	88	89	90
91	92	93	94	95	96	97	98	99	100

