

Name \_\_\_\_\_

$$\begin{array}{r} 100 \\ + \square 0 \\ \hline 120 \end{array}$$

$$\begin{array}{r} 1\square 0 \\ - 60 \\ \hline \square 00 \end{array}$$

$$\begin{array}{r} 400 \\ + \square\square \\ \hline 440 \end{array}$$

$$\begin{array}{r} 8\square\square \\ + 90 \\ \hline \square 90 \end{array}$$

$$\begin{array}{r} 52\square \\ - 20 \\ \hline \square 07 \end{array}$$

$$\begin{array}{r} \square 61 \\ - 60 \\ \hline 501 \end{array}$$

$$\begin{array}{l} 361 + 20 \\ \textcircled{A} > \textcircled{B} < \textcircled{C} = \\ 391 - 10 \end{array}$$

Jim's basketball team scored 127 points in the game.

They scored 20 points in the last four minutes.

How many points did they score before the last four minutes? \_\_\_\_\_  
points

$$\begin{array}{r} 462 \\ - \square 00 \\ \hline 1\square\square \end{array}$$

$$\begin{array}{r} 306 \\ + 2\square\square \\ \hline \square 06 \end{array}$$

$$\begin{array}{l} 605 + 300 \\ \textcircled{A} > \textcircled{B} < \textcircled{C} = \\ 305 + 600 \end{array}$$

The Elk Scout group drove 573 miles to camp in two days.

They drove 200 miles on day one. How many miles did they drive on day two? \_\_\_\_\_  
miles

Did they drive farther on day one or day two?  (A) day one  (B) day two

Name \_\_\_\_\_

$$\begin{array}{r} 100 \\ + 20 \\ \hline \end{array}$$

$$\begin{array}{r} 110 \\ - 20 \\ \hline \end{array}$$

$$\begin{array}{r} 100 \\ + 40 \\ \hline \end{array}$$

$$\begin{array}{r} 130 \\ - 40 \\ \hline \end{array}$$

$$\begin{array}{r} 1\Box0 \\ - 30 \\ \hline 100 \end{array}$$

$$\begin{array}{r} 100 \\ + 50 \\ \hline \end{array}$$

$$\begin{array}{r} 150 \\ - 50 \\ \hline \end{array}$$

$$\begin{array}{r} 100 \\ + 70 \\ \hline \end{array}$$

$$\begin{array}{r} 170 \\ - 70 \\ \hline \end{array}$$

$$\begin{array}{r} 1\Box0 \\ - 50 \\ \hline 100 \end{array}$$

$$\begin{array}{r} 100 \\ + 90 \\ \hline \end{array}$$

$$\begin{array}{r} 190 \\ - 90 \\ \hline \end{array}$$

$$\begin{array}{r} 100 \\ + 20 \\ \hline \end{array}$$

$$\begin{array}{r} 120 \\ - 20 \\ \hline \end{array}$$

$$\begin{array}{r} 1\Box0 \\ - 90 \\ \hline 100 \end{array}$$

$$\begin{array}{r} 100 \\ + 40 \\ \hline \end{array}$$

$$\begin{array}{r} 140 \\ - 40 \\ \hline \end{array}$$

$$\begin{array}{r} 100 \\ + 60 \\ \hline \end{array}$$

$$\begin{array}{r} 160 \\ - 60 \\ \hline \end{array}$$

$$\begin{array}{r} 1\Box0 \\ - 40 \\ \hline 100 \end{array}$$

Name \_\_\_\_\_

$$\begin{array}{r} 130 \\ + 50 \\ \hline \end{array}$$

$$\begin{array}{r} 180 \\ - 50 \\ \hline \end{array}$$

$$\begin{array}{r} 180 \\ - 30 \\ \hline \end{array}$$

$$\begin{array}{r} 180 \\ - \square\square \\ \hline 150 \end{array}$$

$$\begin{array}{r} 180 \\ - \square\square \\ \hline 130 \end{array}$$

---

$$\begin{array}{r} 250 \\ + 20 \\ \hline \end{array}$$

$$\begin{array}{r} 270 \\ - 20 \\ \hline \end{array}$$

$$\begin{array}{r} 270 \\ - 50 \\ \hline \end{array}$$

$$\begin{array}{r} 270 \\ - \square\square \\ \hline 220 \end{array}$$

$$\begin{array}{r} 270 \\ - \square\square \\ \hline 250 \end{array}$$

---

$$\begin{array}{r} 330 \\ + 10 \\ \hline \end{array}$$

$$\begin{array}{r} 340 \\ - 10 \\ \hline \end{array}$$

$$\begin{array}{r} 340 \\ - 30 \\ \hline \end{array}$$

$$\begin{array}{r} 340 \\ - \square\square \\ \hline 330 \end{array}$$

$$\begin{array}{r} 340 \\ - \square\square \\ \hline 310 \end{array}$$

---

$$\begin{array}{r} 460 \\ + 30 \\ \hline \end{array}$$

$$\begin{array}{r} 490 \\ - 30 \\ \hline \end{array}$$

$$\begin{array}{r} 490 \\ - 60 \\ \hline \end{array}$$

$$\begin{array}{r} 490 \\ - \square\square \\ \hline 460 \end{array}$$

$$\begin{array}{r} 490 \\ - \square\square \\ \hline 430 \end{array}$$

Name \_\_\_\_\_

$$\begin{array}{r} 200 \\ + 20 \\ \hline \end{array}$$

$$\begin{array}{r} 220 \\ - 20 \\ \hline \end{array}$$

$$\begin{array}{r} 200 \\ + 50 \\ \hline \end{array}$$

$$\begin{array}{r} 250 \\ - 50 \\ \hline \end{array}$$

$$\begin{array}{r} 2\Box 0 \\ - 50 \\ \hline 200 \end{array}$$

$$\begin{array}{r} 300 \\ + 30 \\ \hline \end{array}$$

$$\begin{array}{r} 330 \\ - 30 \\ \hline \end{array}$$

$$\begin{array}{r} 300 \\ + 70 \\ \hline \end{array}$$

$$\begin{array}{r} 370 \\ - 70 \\ \hline \end{array}$$

$$\begin{array}{r} 3\Box 0 \\ - 50 \\ \hline 300 \end{array}$$

$$\begin{array}{r} 400 \\ + 60 \\ \hline \end{array}$$

$$\begin{array}{r} 460 \\ - 60 \\ \hline \end{array}$$

$$\begin{array}{r} 400 \\ + 40 \\ \hline \end{array}$$

$$\begin{array}{r} 440 \\ - 40 \\ \hline \end{array}$$

$$\begin{array}{r} 4\Box\Box \\ - 40 \\ \hline 400 \end{array}$$

$$\begin{array}{r} 500 \\ + 90 \\ \hline \end{array}$$

$$\begin{array}{r} 590 \\ - 90 \\ \hline \end{array}$$

$$\begin{array}{r} 500 \\ + 80 \\ \hline \end{array}$$

$$\begin{array}{r} 580 \\ - 80 \\ \hline \end{array}$$

$$\begin{array}{r} 5\Box\Box \\ - 60 \\ \hline 500 \end{array}$$

Name \_\_\_\_\_

$$\begin{array}{r} 540 \\ + 40 \\ \hline \end{array}$$

$$\begin{array}{r} 580 \\ - 40 \\ \hline \end{array}$$

$$\begin{array}{r} 650 \\ + 40 \\ \hline \end{array}$$

$$\begin{array}{r} 690 \\ - 40 \\ \hline \end{array}$$

$$\begin{array}{r} 720 \\ + 30 \\ \hline \end{array}$$

$$\begin{array}{r} 750 \\ - 30 \\ \hline \end{array}$$

$$\begin{array}{r} 830 \\ + 20 \\ \hline \end{array}$$

$$\begin{array}{r} 850 \\ - 20 \\ \hline \end{array}$$

$$\begin{array}{r} 950 \\ + 40 \\ \hline \end{array}$$

$$\begin{array}{r} 990 \\ - 40 \\ \hline \end{array}$$

If  $950 + 40 = 990$ ,  
then  $990 - 50 = 950$ .

(A) True  (B) False

If  $630 + 30 = 660$ ,  
then  $660 - 30 = 630$ .

(A) True  (B) False

If  $670 + 10 = 680$ ,  
then  $680 - 10 = 660$ .

(A) True  (B) False

If  $710 + 60 = 770$ ,  
then  $770 - 50 = 710$ .

(A) True  (B) False

If  $850 + 40 = 890$ ,  
then  $890 - 40 = 850$ .

(A) True  (B) False

Name \_\_\_\_\_

$$\begin{array}{r} 600 \\ + 30 \\ \hline \end{array}$$

$$\begin{array}{r} 630 \\ - \square\square \\ \hline 600 \end{array}$$

$$\begin{array}{r} 600 \\ + 50 \\ \hline \end{array}$$

$$\begin{array}{r} 650 \\ - 50 \\ \hline \end{array}$$

$$\begin{array}{r} 6\square\square \\ - 70 \\ \hline 600 \end{array}$$

---

$$\begin{array}{r} 700 \\ + 60 \\ \hline \end{array}$$

$$\begin{array}{r} 760 \\ - \square\square \\ \hline 700 \end{array}$$

$$\begin{array}{r} 700 \\ + \square\square \\ \hline 780 \end{array}$$

$$\begin{array}{r} 780 \\ - 80 \\ \hline \end{array}$$

$$\begin{array}{r} 770 \\ - \square\square \\ \hline 700 \end{array}$$

---

$$\begin{array}{r} 800 \\ + \square\square \\ \hline 870 \end{array}$$

$$\begin{array}{r} 8\square\square \\ - 70 \\ \hline 800 \end{array}$$

$$\begin{array}{r} 800 \\ + 10 \\ \hline \end{array}$$

$$\begin{array}{r} 810 \\ - 10 \\ \hline \end{array}$$

$$\begin{array}{r} 840 \\ - \square\square \\ \hline 800 \end{array}$$

---

$$\begin{array}{r} 900 \\ + \square\square \\ \hline 920 \end{array}$$

$$\begin{array}{r} 9\square\square \\ - 20 \\ \hline 900 \end{array}$$

$$\begin{array}{r} 900 \\ + 40 \\ \hline \end{array}$$

$$\begin{array}{r} 940 \\ - 40 \\ \hline \end{array}$$

$$\begin{array}{r} 980 \\ - \square\square \\ \hline 900 \end{array}$$

Name \_\_\_\_\_

Jose had 130 worms Saturday morning. He dug up 20 more Saturday afternoon, so he had \_\_\_\_ worms Saturday night. If 20 of the worms got away on Sunday, Jose would have \_\_\_\_ worms.

Jose would have the same number of worms Saturday morning and Sunday night.

(A) True

(B) False

Rhoda counted 250 flowers in the garden. She cut 30 flowers to take into the house. There were \_\_\_\_ flowers left in the garden. The next day, 30 new flowers had bloomed. This meant there were \_\_\_\_ flowers in the garden.

Rhoda had the same number of flowers when she first counted as she did the next day.

(A) True

(B) False

If the beginning number is 740 and you add 20, you will have \_\_\_\_ . If you then subtract 20, you will have \_\_\_\_ as the ending number. The beginning number will be  $>$ ,  $<$ , or  $=$  the ending number.

(A)  $>$     (B)  $<$     (C)  $=$

Pick a number \_\_\_\_ . Add  $30 =$  \_\_\_\_ . Subtract  $30 =$  \_\_\_\_ . Is the number you picked  $>$ ,  $<$ , or  $=$  the ending number?

(A)  $>$     (B)  $<$     (C)  $=$

Pick a number \_\_\_\_ . Add  $40 =$  \_\_\_\_ . Subtract  $40 =$  \_\_\_\_ . Is the number you picked  $>$ ,  $<$ , or  $=$  the ending number?

(A)  $>$     (B)  $<$     (C)  $=$

Name \_\_\_\_\_

$$\begin{array}{r} 126 \\ + 30 \\ \hline \end{array}$$

$$\begin{array}{r} 156 \\ - 30 \\ \hline \end{array}$$

$$\begin{array}{r} 156 \\ - 20 \\ \hline \end{array}$$

$$\begin{array}{r} 156 \\ - \square\square \\ \hline 126 \end{array}$$

$$\begin{array}{r} 156 \\ - \square\square \\ \hline 136 \end{array}$$

---

$$\begin{array}{r} 258 \\ + 20 \\ \hline \end{array}$$

$$\begin{array}{r} 278 \\ - 20 \\ \hline \end{array}$$

$$\begin{array}{r} 278 \\ - 50 \\ \hline \end{array}$$

$$\begin{array}{r} 278 \\ - \square\square \\ \hline 258 \end{array}$$

$$\begin{array}{r} 278 \\ - \square\square \\ \hline 228 \end{array}$$

---

$$\begin{array}{r} 357 \\ + 40 \\ \hline \end{array}$$

$$\begin{array}{r} 397 \\ - 40 \\ \hline \end{array}$$

$$\begin{array}{r} 397 \\ - 50 \\ \hline \end{array}$$

$$\begin{array}{r} 397 \\ - \square\square \\ \hline 357 \end{array}$$

$$\begin{array}{r} 397 \\ - \square\square \\ \hline 347 \end{array}$$

---

$$\begin{array}{r} 335 \\ + 10 \\ \hline \end{array}$$

$$\begin{array}{r} 345 \\ - 10 \\ \hline \end{array}$$

$$\begin{array}{r} 345 \\ - 30 \\ \hline \end{array}$$

$$\begin{array}{r} 345 \\ - \square\square \\ \hline 335 \end{array}$$

$$\begin{array}{r} 345 \\ - \square\square \\ \hline 315 \end{array}$$



Name \_\_\_\_\_

$$\begin{array}{r} 200 \\ + 40 \\ \hline \end{array}$$

$$\begin{array}{r} 2\Box0 \\ - 40 \\ \hline 200 \end{array}$$

$$\begin{array}{r} 600 \\ + 30 \\ \hline \end{array}$$

$$\begin{array}{r} 630 \\ - \Box\Box \\ \hline 600 \end{array}$$

$$\begin{array}{r} 430 \\ \bigcirc \\ \hline 340 \end{array}$$

$$\begin{array}{r} 510 \\ + \Box\Box \\ \hline 580 \end{array}$$

$$\begin{array}{r} 580 \\ - \Box\Box \\ \hline 510 \end{array}$$

We went 170 miles on a trip.  
We stopped for lunch when we  
had gone 70 miles. How far  
did we go after lunch?

\_\_\_\_\_ miles

$$\begin{array}{r} 850 \\ + \Box0 \\ \hline 87\Box \end{array}$$

$$\begin{array}{r} 870 \\ - \Box0 \\ \hline 850 \end{array}$$

$$\begin{array}{r} 790 \\ - \Box0 \\ \hline 720 \end{array}$$

$$\begin{array}{r} 720 \\ + 7\Box \\ \hline 790 \end{array}$$

$$\begin{array}{r} 870 \\ \bigcirc \\ \hline 780 \end{array}$$

$$\begin{array}{r} 3\Box0 \\ - 90 \\ \hline 300 \end{array}$$

$$\begin{array}{r} 3\Box0 \\ + 90 \\ \hline 390 \end{array}$$

I had 980 calories for lunch.  
The orange had 60 calories.  
How many calories were in  
the rest of the lunch?

\_\_\_\_\_ calories

Name \_\_\_\_\_

$$\begin{array}{r} 536 \\ + 50 \\ \hline \end{array}$$

$$\begin{array}{r} 586 \\ - 50 \\ \hline \end{array}$$

If  $536 + 50 = 586$ ,  
then  $586 - 50 = 536$ .

(A) True  (B) False

---

$$\begin{array}{r} 649 \\ + 30 \\ \hline \end{array}$$

$$\begin{array}{r} 679 \\ - 30 \\ \hline \end{array}$$

If  $649 + 30 = 679$ ,  
then  $679 - 30 = 649$ .

(A) True  (B) False

---

$$\begin{array}{r} 728 \\ + 40 \\ \hline \end{array}$$

$$\begin{array}{r} 768 \\ - 40 \\ \hline \end{array}$$

If  $728 + 40 = 768$ ,  
then  $768 - 30 = 728$ .

(A) True  (B) False

---

$$\begin{array}{r} 812 \\ + 60 \\ \hline \end{array}$$

$$\begin{array}{r} 872 \\ - 60 \\ \hline \end{array}$$

If  $812 + 60 = 872$ ,  
then  $862 - 10 = 872$ .

(A) True  (B) False

---

$$\begin{array}{r} 957 \\ + 20 \\ \hline \end{array}$$

$$\begin{array}{r} 977 \\ - 20 \\ \hline \end{array}$$

If  $957 + 20 = 977$ ,  
then  $977 - 30 = 957$ .

(A) True  (B) False

Name \_\_\_\_\_

If  $433 + 30 = 463$ , then  $433 + \square = 473$ .

If  $713 + 30 = 743$ , then  $713 + \square = 763$ .

If  $647 + 40 = \square$ , then  $647 + \square = 697$ .

If  $226 + 20 = \square$ , then  $226 + \square = 266$ .

If  $119 + \square = 149$ , then  $119 + \square = 179$ .

If  $824 + \square = 854$ , then  $824 + \square = 874$ .

Jamie's family took a trip. They drove 339 miles on Saturday and 50 miles on Sunday. On the way back home, they took a different route. They drove 80 miles the first day and 309 miles the second day. Was the trip the same number of miles each way?

A yes

B no

Name \_\_\_\_\_

$$\begin{array}{r} 400 \\ + 40 \\ \hline \end{array}$$

$$\begin{array}{r} 4\ \square\square \\ - 40 \\ \hline \square00 \end{array}$$

$$\begin{array}{r} 720 \\ - \square\square \\ \hline 70\square \end{array}$$

$$\begin{array}{r} 7\square\square \\ + 2\square \\ \hline \square20 \end{array}$$

$$\begin{array}{r} 110 \\ \bigcirc \\ \hline 101 \end{array}$$

$$\begin{array}{r} 635 \\ + \square\square \\ \hline 685 \end{array}$$

$$\begin{array}{r} 6\square\square \\ - 50 \\ \hline \square35 \end{array}$$

A baseball team scored 268 runs in the season. It scored 30 runs in the last five games. How many runs did it score before the last five games?

\_\_\_\_\_ runs

$$\begin{array}{r} 587 \\ - \square0 \\ \hline 50\square \end{array}$$

$$\begin{array}{r} 50\square \\ + \square0 \\ \hline \square87 \end{array}$$

$$\begin{array}{r} 2\square\square \\ + 70 \\ \hline \square92 \end{array}$$

$$\begin{array}{r} \square92 \\ - 7\square \\ \hline 2\square2 \end{array}$$

$$\begin{array}{r} 776 \\ \bigcirc \\ \hline 767 \end{array}$$

$$\begin{array}{r} 16\square \\ - \square0 \\ \hline \square11 \end{array}$$

$$\begin{array}{r} \square11 \\ + 5\square \\ \hline 1\square\square \end{array}$$

A football team scored 328 points in the season. It scored 60 points in the playoffs. How many points did it score altogether?

\_\_\_\_\_ points

Name \_\_\_\_\_

$$\begin{array}{r} 100 \\ + 100 \\ \hline \square\square\square \end{array}$$

$$\begin{array}{r} 200 \\ - 100 \\ \hline \square\square\square \end{array}$$

$$\begin{array}{r} 100 \\ + 2\square\square \\ \hline \square00 \end{array}$$

$$\begin{array}{r} \square00 \\ - 200 \\ \hline 1\square\square \end{array}$$

$$\begin{array}{r} 100 \\ + \square\square\square \\ \hline 400 \end{array}$$

$$\begin{array}{r} 400 \\ - \square\square\square \\ \hline 100 \end{array}$$

$$\begin{array}{r} 100 \\ + \square0\square \\ \hline 5\square0 \end{array}$$

$$\begin{array}{r} \square\square\square \\ - 100 \\ \hline 400 \end{array}$$

$$\begin{array}{r} \square00 \\ + 5\square\square \\ \hline 600 \end{array}$$

$$\begin{array}{r} 6\square0 \\ - \square0\square \\ \hline 100 \end{array}$$

$$\begin{array}{r} \square0\square \\ + 6\square0 \\ \hline 700 \end{array}$$

$$\begin{array}{r} 7\square\square \\ - \square00 \\ \hline 100 \end{array}$$

$$\begin{array}{r} 1\square\square \\ + \square00 \\ \hline 800 \end{array}$$

$$\begin{array}{r} \square0\square \\ - 7\square0 \\ \hline 100 \end{array}$$

$$\begin{array}{r} \square\square\square \\ + 800 \\ \hline 900 \end{array}$$

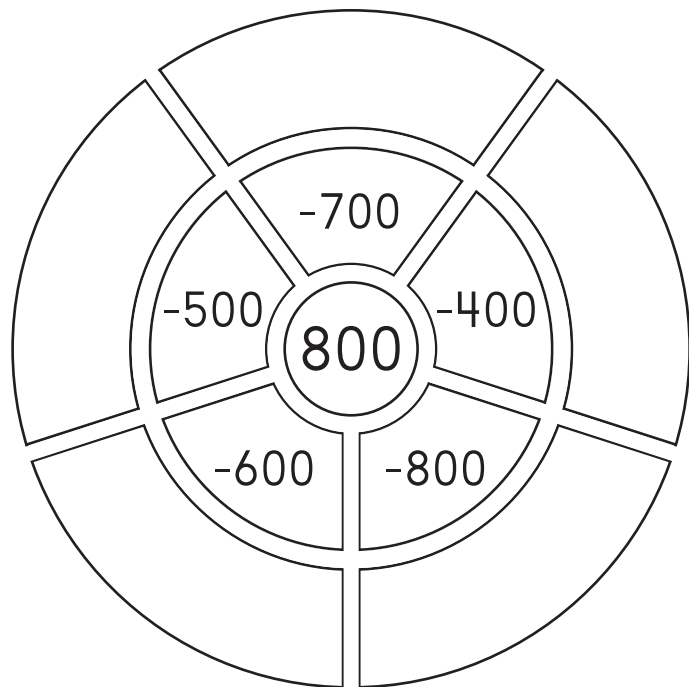
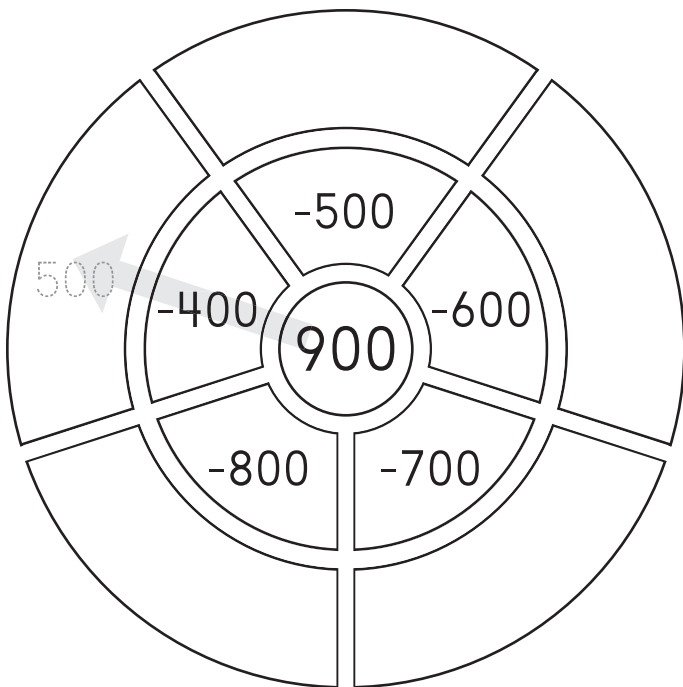
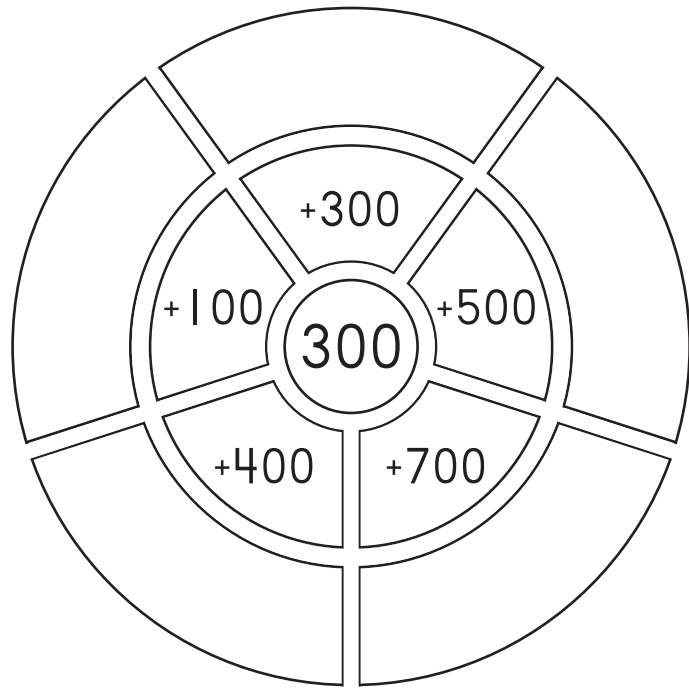
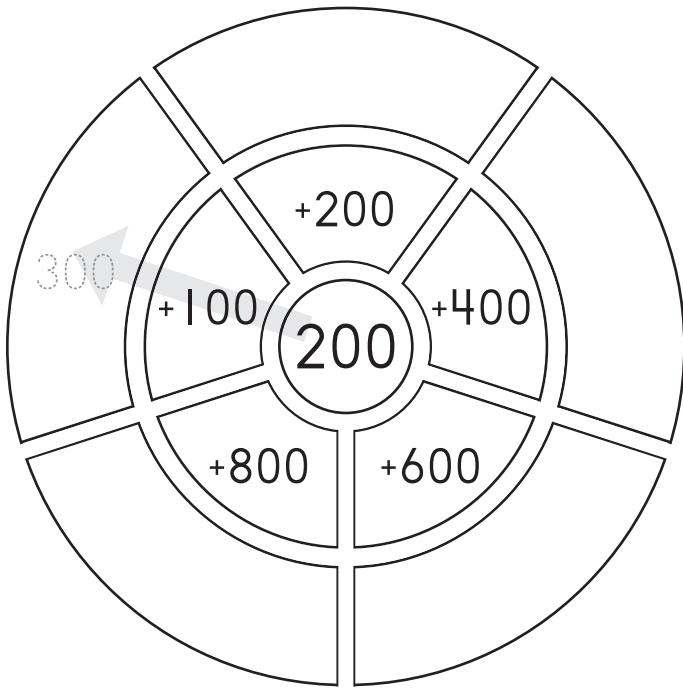
$$\begin{array}{r} 900 \\ - 8\square\square \\ \hline \square00 \end{array}$$

$$\begin{array}{r} 900 \\ + \square00 \\ \hline 1,0\square\square \end{array}$$

$$\begin{array}{r} 1,\square\square\square \\ - 900 \\ \hline 100 \end{array}$$

$$\begin{array}{l} 800 + 100 \\ \textcircled{A} > \textcircled{B} < \textcircled{C} = \\ 1,000 - 100 \end{array}$$

Name \_\_\_\_\_



Name \_\_\_\_\_

I am 400. (A) 700.  
Add 500 to me. My sum is \_\_\_\_\_. Now I am (B) 800.  
Now subtract 100 from me. My difference is \_\_\_\_\_. (C) 1,000.  
I have an even number in the hundreds place.

---

I am 700. (A) 800.  
Subtract 300 from me. Now I am (B) 1,000.  
Now add 600. (C) 1,100.  
I am not greater than 1,000.

---

I am 600. (A) 900.  
Subtract 200 from me. Now I am (B) 1,000.  
Now add 500. (C) 800.  
I have an odd number in the hundreds place.

---

I am 300. (A) 300.  
Add 600 to me. Now I am (B) 100.  
Now subtract 700. (C) 200.  
I am less than 300.

---

I am 800. (A) 600.  
Subtract 300 from me. Now I am (B) 700.  
Now add 200. (C) 1,100.  
I am less than 1,000.


Name \_\_\_\_\_

$$\begin{array}{r} 200 \\ + \square 00 \\ \hline 400 \end{array}$$

$$\begin{array}{r} 400 \\ - \square 0 \square \\ \hline 2 \square 0 \end{array}$$

$$\begin{array}{r} 300 \\ + \square \square \square \\ \hline 600 \end{array}$$

$$\begin{array}{r} \square \square \square \\ - 300 \\ \hline 300 \end{array}$$

200 + 200  
  
200 + 300

$$\begin{array}{r} 440 \\ + \square 0 \square \\ \hline 8 \square 0 \end{array}$$

$$\begin{array}{r} 840 \\ - \square 0 \square \\ \hline 4 \square 0 \end{array}$$

$$\begin{array}{r} 570 \\ + 2 \square 0 \\ \hline \square 7 \square \end{array}$$

$$\begin{array}{r} \square 7 \square \\ - 2 \square 0 \\ \hline 570 \end{array}$$

$$\begin{array}{r} 770 \\ - 5 \square 0 \\ \hline \square 7 \square \end{array}$$

$$\begin{array}{r} 380 \\ + \square 00 \\ \hline 8 \square \square \end{array}$$

$$\begin{array}{r} 8 \square \square \\ - \square 00 \\ \hline 380 \end{array}$$

$$\begin{array}{r} 990 \\ - 4 \square \square \\ \hline \square 90 \end{array}$$

$$\begin{array}{r} \square 90 \\ + 4 \square \square \\ \hline 990 \end{array}$$

$$\begin{array}{r} 990 \\ - 500 \\ \hline \square \square \square \end{array}$$

Most years have 365 days.

If there are 30 days in June, how many days are in the rest of the year? \_\_\_\_\_ days

If there are a total of 60 days in April and September, how many days are in the rest of the year? \_\_\_\_\_ days



Name \_\_\_\_\_

140, 340, 540, \_\_\_\_\_, \_\_\_\_\_ The pattern is +200.

---

270, 370, 470, \_\_\_\_\_, \_\_\_\_\_ The pattern is \_\_\_\_\_.

---

450, \_\_\_\_\_, 650, \_\_\_\_\_, 850 The pattern is \_\_\_\_\_.

---

960, \_\_\_\_\_, 560, \_\_\_\_\_, 160 The pattern is \_\_\_\_\_.

---

980, \_\_\_\_\_, \_\_\_\_\_, \_\_\_\_\_, 180 The pattern is \_\_\_\_\_.

---

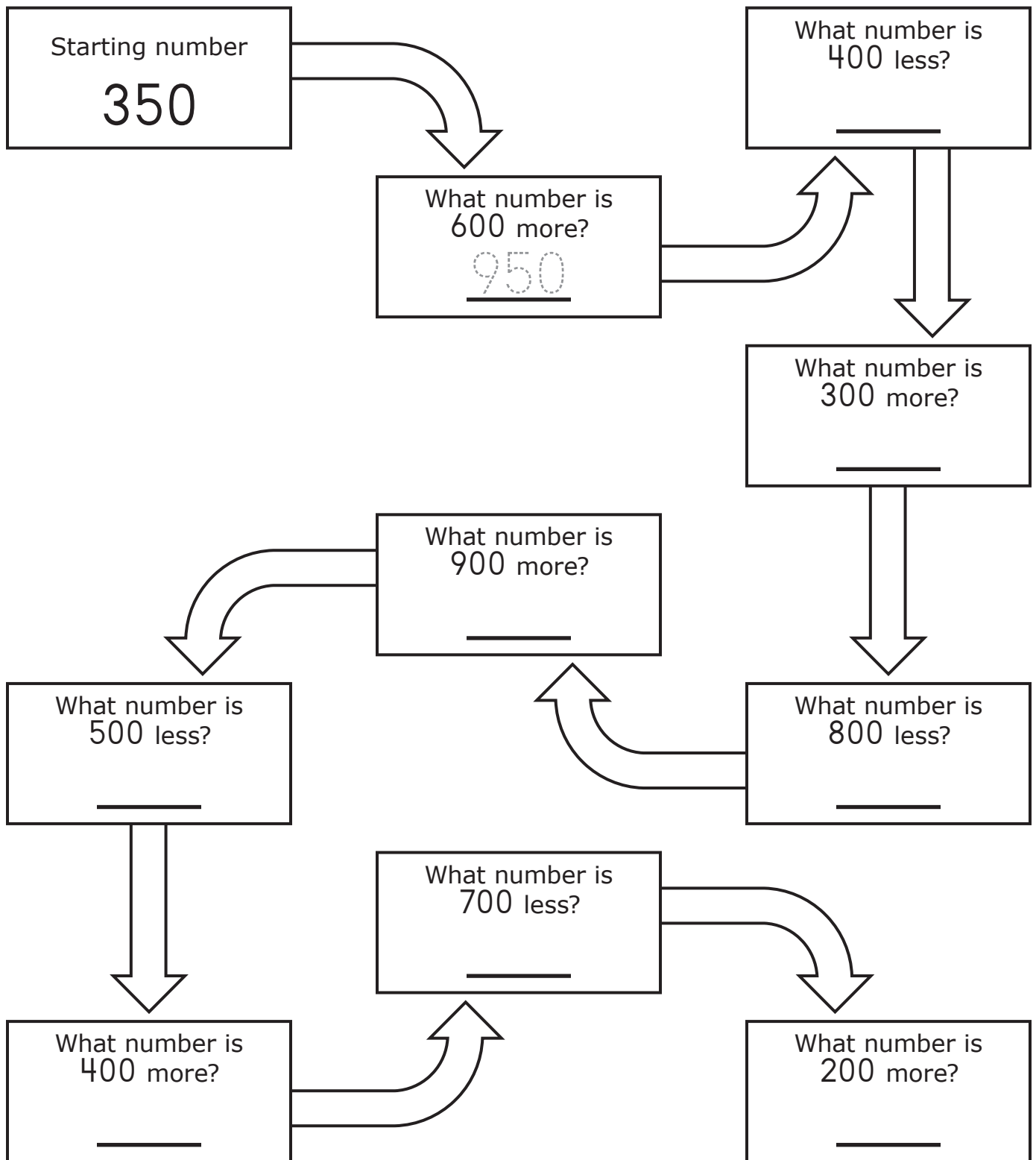
\_\_\_\_\_, 630, \_\_\_\_\_, \_\_\_\_\_, 330 The pattern is \_\_\_\_\_.

---

610, 410, 510, 310, 410, \_\_\_\_\_, \_\_\_\_\_

The pattern is \_\_\_\_\_, \_\_\_\_\_.

Name \_\_\_\_\_



Name \_\_\_\_\_

The hobby shop has 453 colored beads.

Mrs. Dean buys 200 for her students at school.

She returns later to buy 100 more beads.

How many beads does the hobby shop have left to sell? \_\_\_\_\_  
beads

$$\begin{array}{r} \square 71 \\ - 3\square\square \\ \hline 671 \end{array}$$

$$\begin{array}{r} 5\square\square \\ + \square 00 \\ \hline 949 \end{array}$$

$$\begin{array}{r} \square\square\square \\ - 400 \\ \hline 549 \end{array}$$

$$\begin{array}{r} 4\square 8 \\ + 50\square \\ \hline \square 08 \end{array}$$

$$\begin{array}{r} \square 0\square \\ - 5\square 0 \\ \hline 408 \end{array}$$

$$\begin{array}{r} 776 \\ - 600 \\ \hline \square\square\square \end{array}$$

$$\begin{array}{r} \square\square\square \\ + 600 \\ \hline 776 \end{array}$$

$$\begin{array}{r} 702 \\ - \square 00 \\ \hline 2 \end{array}$$

$$\begin{array}{r} 2 \\ + \square 00 \\ \hline 702 \end{array}$$

$$\begin{array}{r} 938 \\ - 8\square\square \\ \hline \square 38 \end{array}$$

$$\begin{array}{r} \square 38 \\ + 800 \\ \hline 9\square\square \end{array}$$

$$\begin{array}{r} 999 \\ - \square\square\square \\ \hline 99 \end{array}$$

$$\begin{array}{r} 99 \\ + \square\square\square \\ \hline 999 \end{array}$$

$$\begin{array}{r} 765 - 500 \\ \bigcirc \\ 265 + 200 \end{array}$$

$$\begin{array}{r} 408 - 100 \\ \bigcirc \\ 508 - 200 \end{array}$$

Name \_\_\_\_\_

$735 + 200$    $745 + 100$

$401 + 300$    $411 + 200$

$240 + 200$    $250 + 200$

$369 + 100$    $369 + 400$

$550 + 400$    $540 + 300$

$493 + 300$    $483 + 400$

Willy had a magical bird that laid golden eggs about the size of a pea. The bird laid 123 eggs during one week and 200 more eggs on Sunday. The next week the bird laid 133 eggs during the week and 100 more on Sunday.

What was the total number of eggs for all of week one? \_\_\_\_\_ eggs

What was the total number of eggs for all of week two? \_\_\_\_\_ eggs

The total number of eggs in week one was  A >  B <  C = the total number of eggs in week two.

Name \_\_\_\_\_

Rule: Subtract 100

In	Out
439	
654	
791	
224	

Rule: Add 400

In	Out
304	
407	
109	
503	

Rule: Add 700

In	Out
243	
109	
200	
177	

Rule: Subtract 500

In	Out
948	
766	
807	
655	

Rule: Add 600

In	Out
286	
139	
308	
146	

Rule: Subtract 200

In	Out
647	
564	
708	
604	

Rule:

In	Out

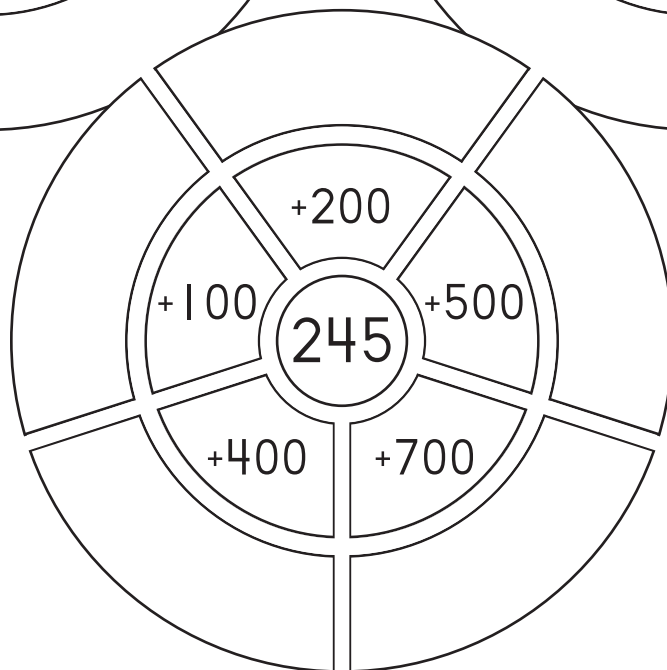
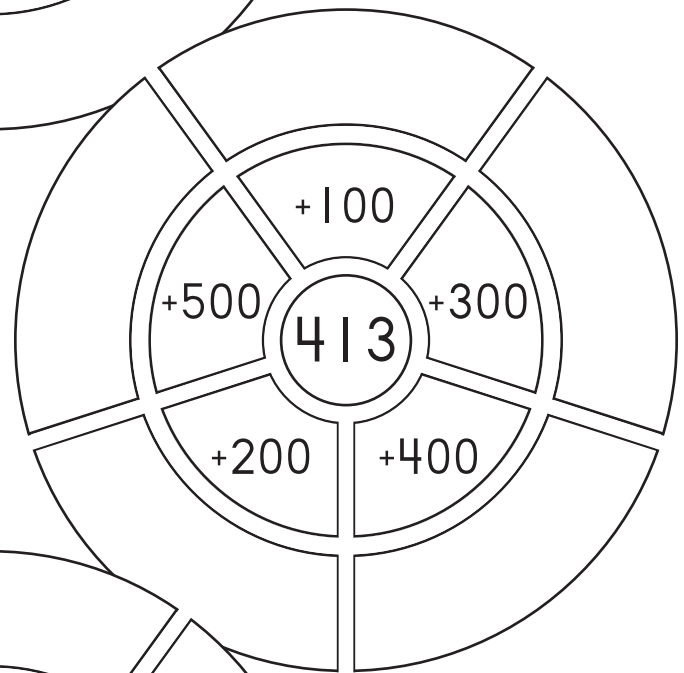
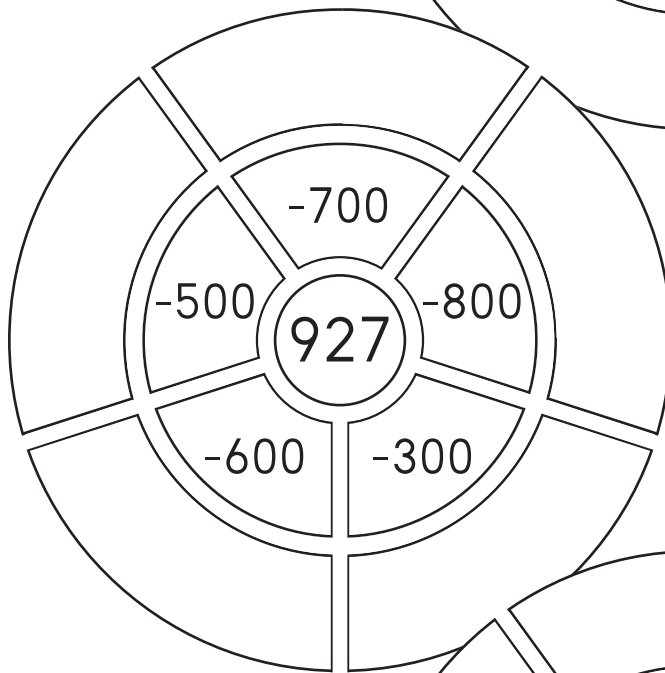
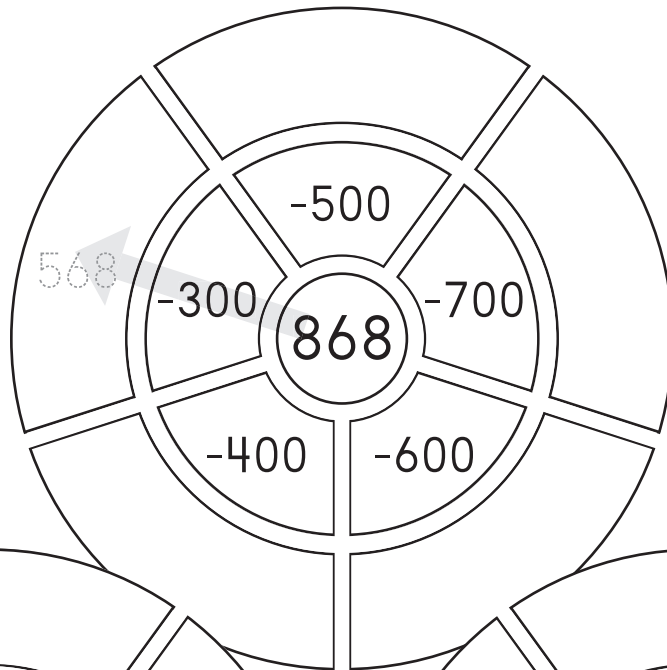
Rule:

In	Out

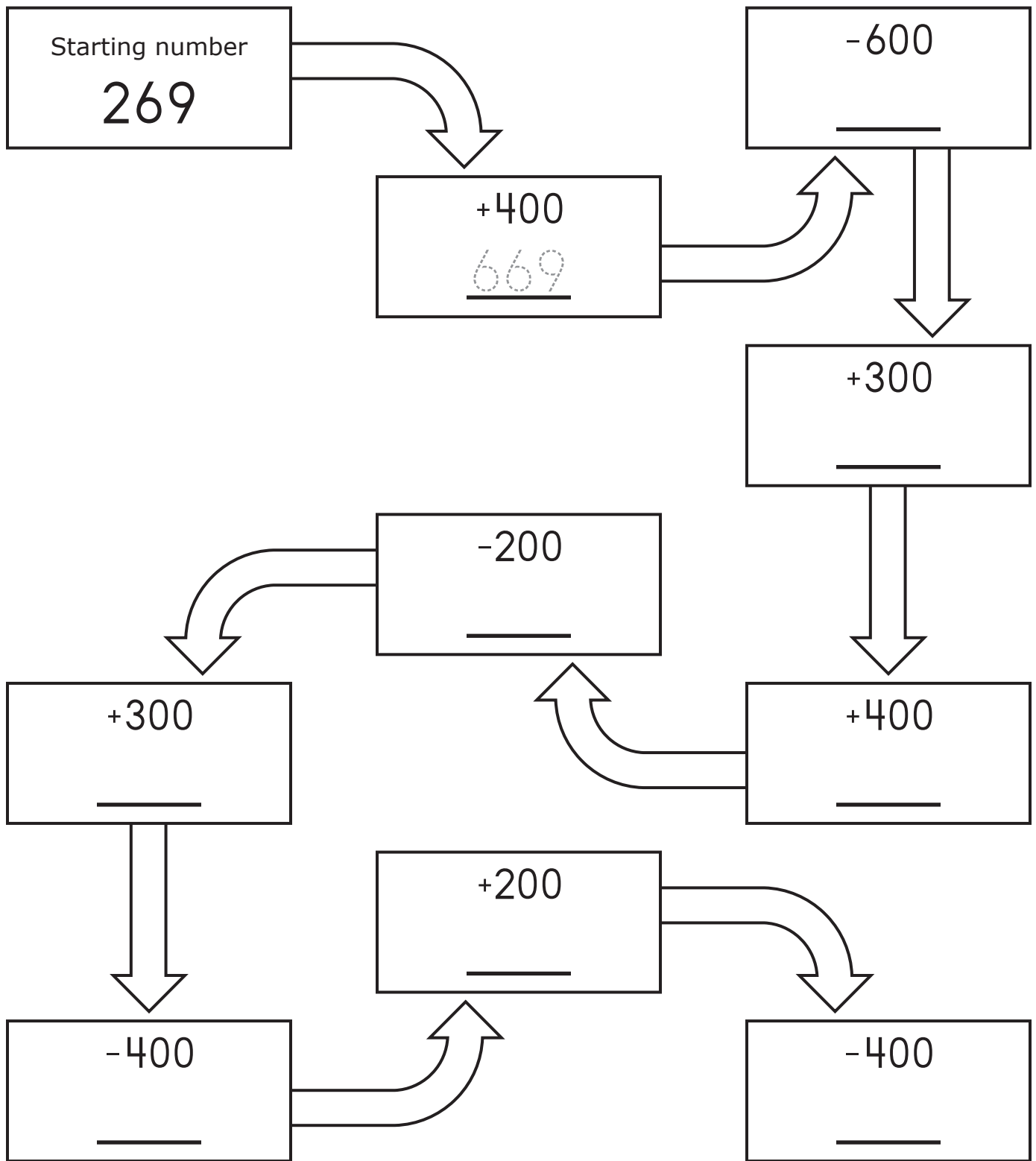
Rule:

In	Out

Name \_\_\_\_\_



Name \_\_\_\_\_



Name \_\_\_\_\_

$$\begin{array}{r} 500 \\ + 20 \\ \hline 520 \end{array}$$

$$\begin{array}{r} 990 \\ - 500 \\ \hline \end{array}$$

$$\begin{array}{r} 460 \\ + 30 \\ \hline \end{array}$$

$$\begin{array}{r} 801 \\ - 300 \\ \hline \end{array}$$

$$\begin{array}{r} 216 \\ + 60 \\ \hline \end{array}$$

$$\begin{array}{r} 720 \\ - 200 \\ \hline 520 \end{array}$$

$$\begin{array}{r} 740 \\ + 100 \\ \hline \end{array}$$

$$\begin{array}{r} 676 \\ - 400 \\ \hline \end{array}$$

$$\begin{array}{r} 101 \\ + 400 \\ \hline \end{array}$$

$$\begin{array}{r} 940 \\ - 100 \\ \hline \end{array}$$



Name \_\_\_\_\_

$$\begin{array}{r} 100 \\ + 70 \\ \hline \end{array}$$

(A) 107  
 (B) 700  
 (C) 170  
 (D) None of the above

$$\begin{array}{r} 350 \\ - \square\square \\ \hline 300 \end{array}$$

(A) 50  
 (B) 100  
 (C) 150  
 (D) None of the above

$$\begin{array}{r} 240 \\ + \square\square \\ \hline 300 \end{array}$$

(A) 160  
 (B) 610  
 (C) 110  
 (D) None of the above

$$\begin{array}{r} 864 \\ - \square\square \\ \hline 804 \end{array}$$

(A) 30  
 (B) 40  
 (C) 50  
 (D) None of the above

$$718 + 10$$

(A) >  (B) <  (C) =

$$738 - 10$$

$$596 + 10$$

(A) >  (B) <  (C) =

$$606 - 10$$

A football team had 28 points.  
It scored 10 more points.  
What was its total score?

\_\_\_\_\_ points

(A) 18  
 (B) 28  
 (C) 29  
 (D) None of the above

$$\begin{array}{r} 534 \\ + 70 \\ \hline \end{array}$$

(A) 604  
 (B) 541  
 (C) 504  
 (D) None of the above

$$\begin{array}{r} 410 \\ - \square\square \\ \hline 330 \end{array}$$

(A) 180  
 (B) 120  
 (C) 80  
 (D) None of the above

$$627 + 170$$

(A) >  (B) <  (C) =

$$807 - 150$$

Jaiden was a long distance runner.  
He ran 425 yards in the first race.  
He ran 300 yards in the second race.  
How many total yards did he run in  
the two races?

\_\_\_\_\_ yards

(A) 455  
 (B) 428  
 (C) 725  
 (D) None of the above

Name \_\_\_\_\_

$$\begin{array}{r} 100 \\ + \square 0 \\ \hline \square 7 \square \end{array}$$

$$\begin{array}{r} \square 50 \\ - \square 0 \\ \hline 10 \square \end{array}$$

$$\begin{array}{r} 30 \square \\ + \square 0 \\ \hline \square 80 \end{array}$$

$$\begin{array}{r} 6 \square \square \\ + 7 \square \\ \hline \square 70 \end{array}$$

$$\begin{array}{r} 53 \square \\ - \square 0 \\ \hline 506 \end{array}$$

$$\begin{array}{r} \square 64 \\ - \square \square \\ \hline 704 \end{array}$$

$$\begin{array}{l} 753 + 10 \\ \textcircled{A} > \textcircled{B} < \textcircled{C} = \\ 763 - 10 \end{array}$$

A basketball team scored 121 points in the game.

It scored 20 points in the last two minutes.

How many points did it score before the last two minutes? \_\_\_\_\_  
points

$$\begin{array}{r} \square 6 \square \\ + 30 \\ \hline 2 \square 0 \end{array}$$

$$\begin{array}{r} 964 \\ - \square 0 \square \\ \hline 6 \square 4 \end{array}$$

$$\begin{array}{l} 706 + 200 \\ \textcircled{A} > \textcircled{B} < \textcircled{C} = \\ 906 - 200 \end{array}$$

A family went on a 786 mile trip for two days. They went 400 miles the first day. How many miles did they go the second day? \_\_\_\_\_  
miles

Did they go farther on day one or day two?  (A) day one  (B) day two